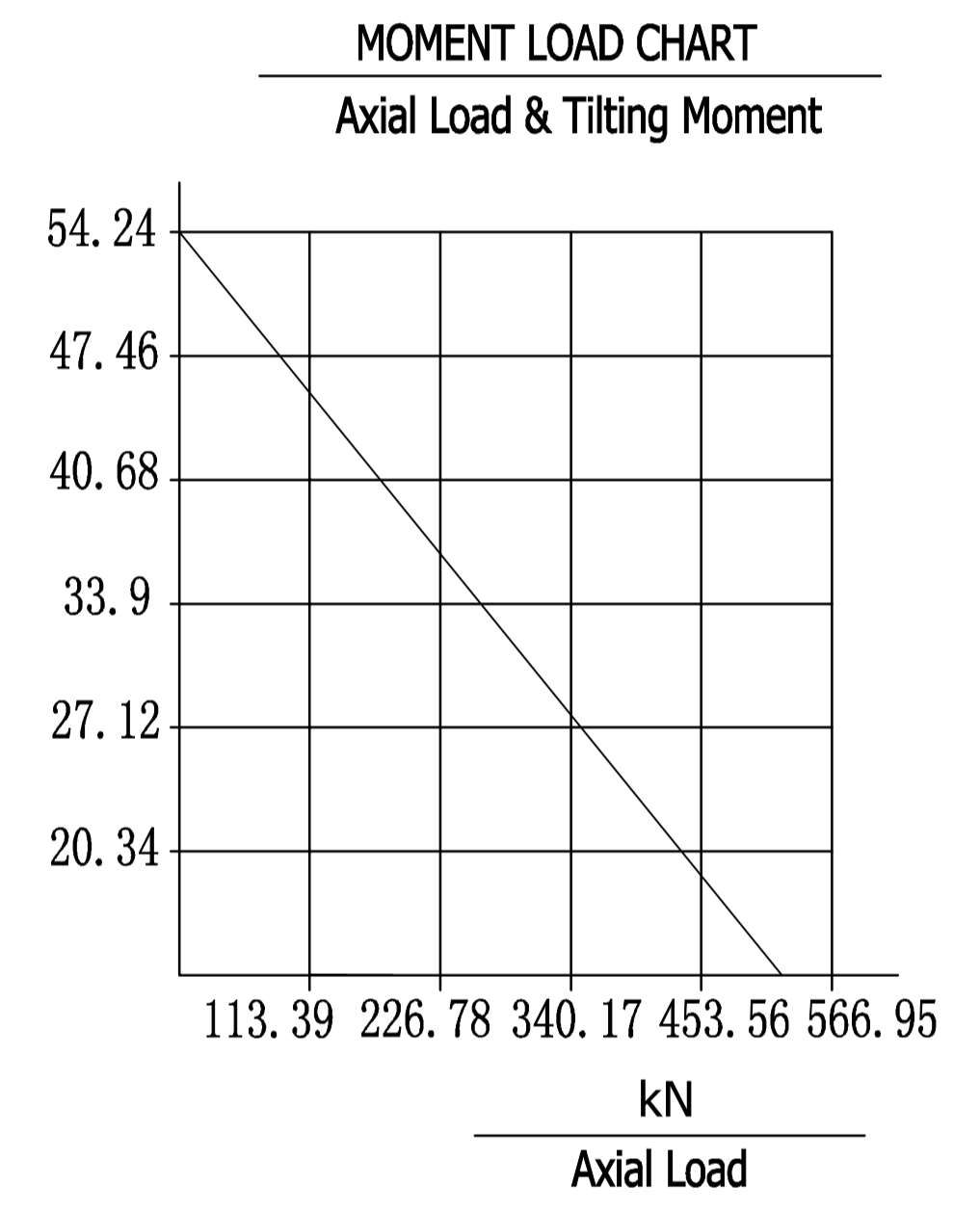
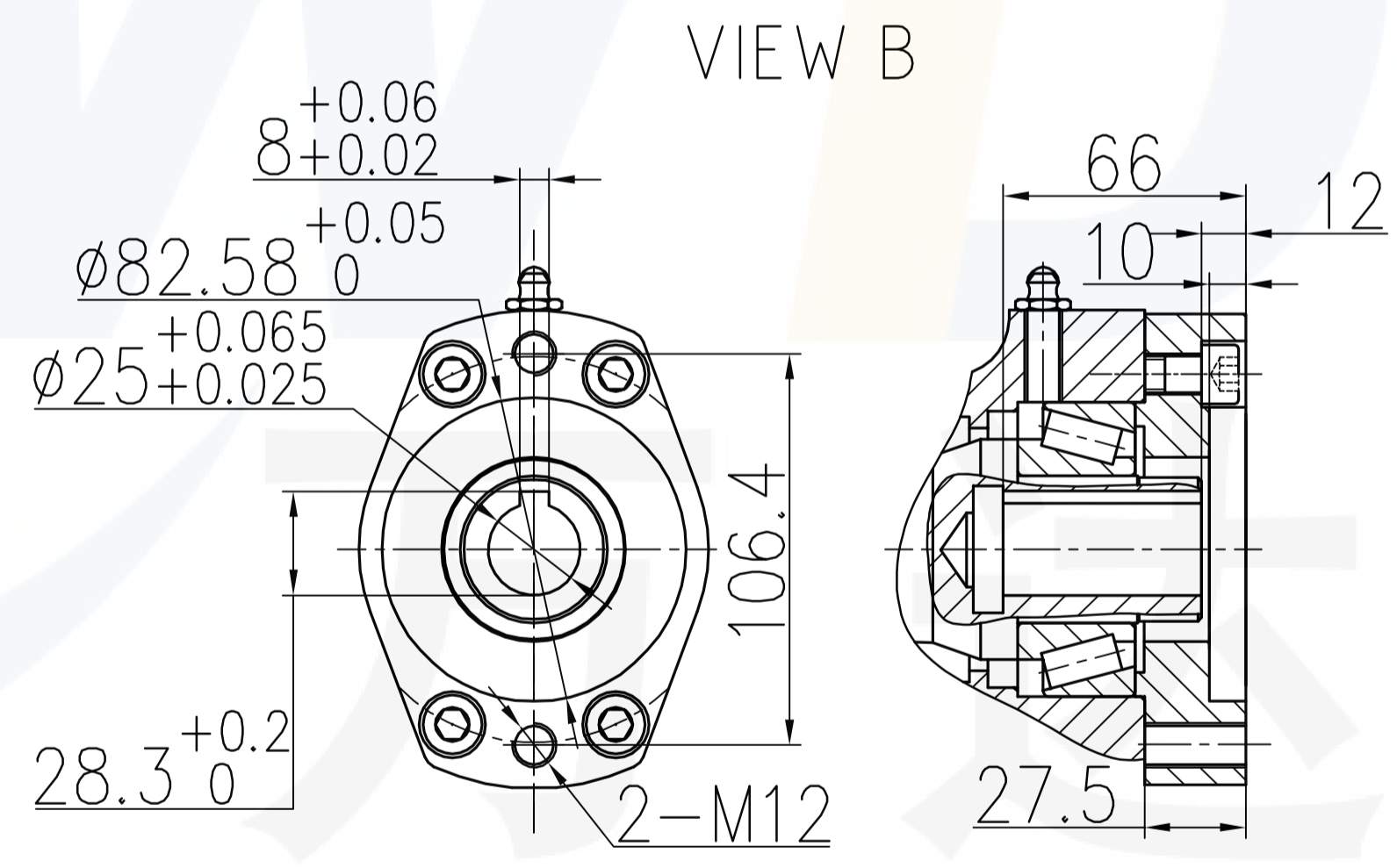
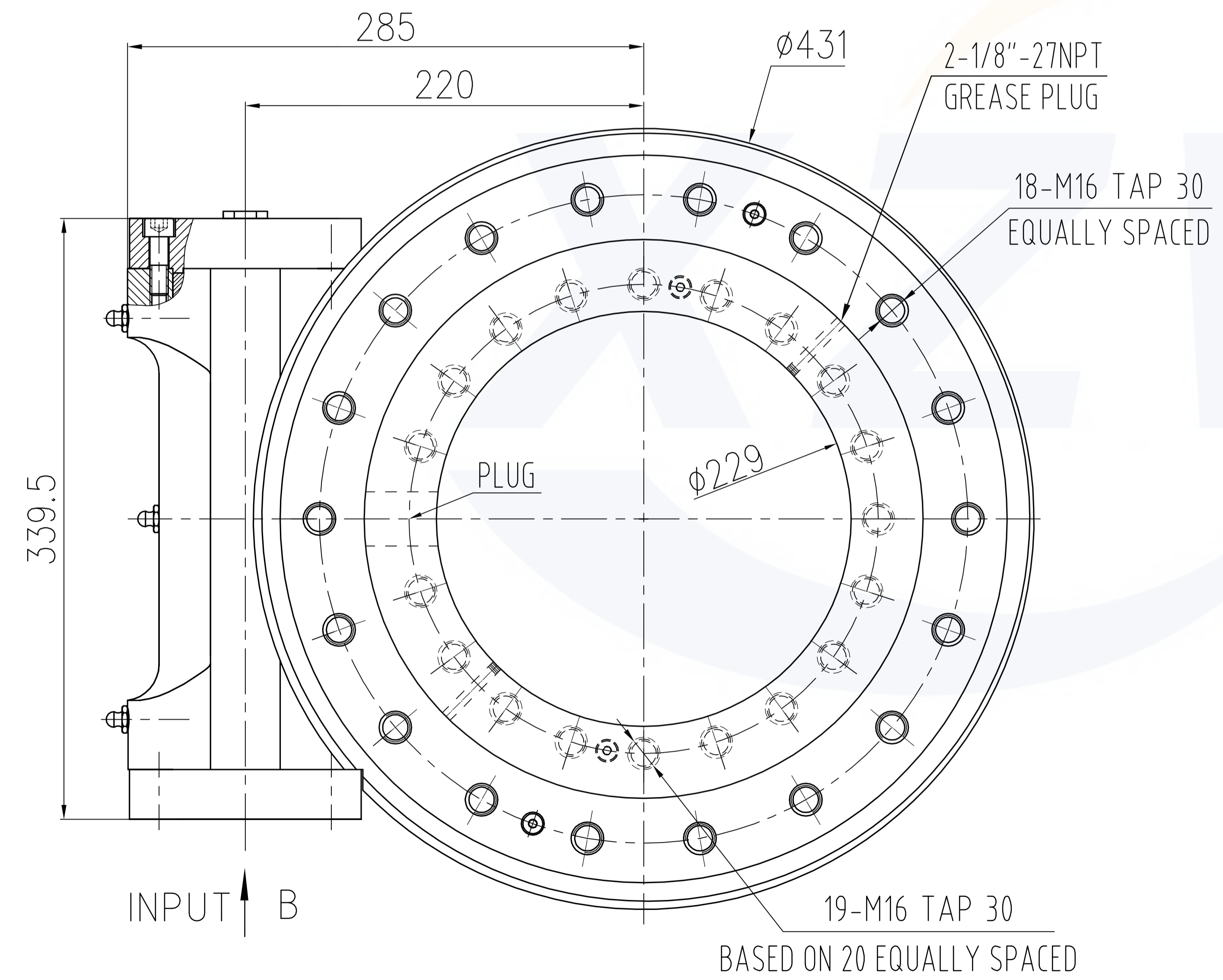


Slewing Drive Performance Data	
Gear Ratio	78:1
Rated Output Speed	≤3 rpm
Rated Output Torque	7.5 kN.m
Tilting Moment Torque	54.3 KN.m
Static Axial Rating	475 kN
Static Radial Rating	190 kN
Dynamic Axial Rating	114 kN
Dynamic Radial Rating	100 kN
Tracking Precision	≤0.17°
Self Locking Gears	Yes
Weight	65 kg



REV	DATE	REVISER	DESCRIPTION		
DESIGNED BY			Xuzhou Wanda Slewing Bearing Co.,Ltd. www.slew-bearing.com Tel: +86-516-83309366 Fax: +86-516-83915766		
CHECKED BY					
APPROVED BY					
ALL PROPRIETARY RIGHTS IN THE SUBJECT MATTER HERE OF ARE RESERVED, AND NO PERMISSION IS GRANTED OR TO DISCLOSE REPRODUCE THIS PRINT IN WHOLE OR IN PART, ANY OF THE INFORMATION TO OTHERS.			WEIGHT	SCALE	SLEWING DRIVE
SYMBOL ISO	SIZE	A3	SHEET	1/1	
				SE12-78-H-25R	
					REV A